

Axial Air-Heaters WFH-A



Heating units with optional ventilation & cooling function

Thermal capacity
10 - 118 kW

Air flow
1200 - 8800 m³/h

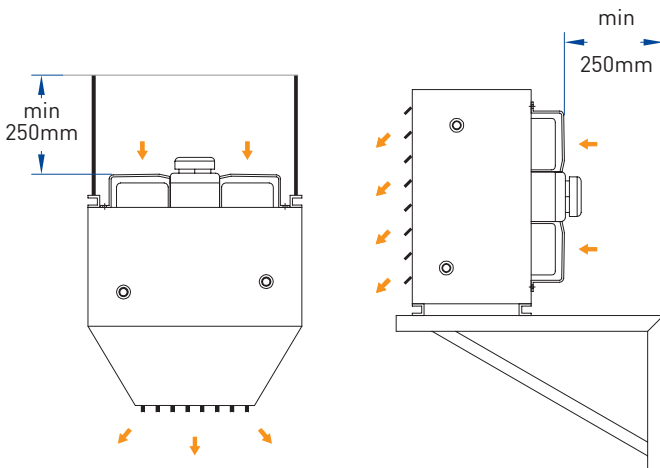
Wall or ceiling mounted

applications

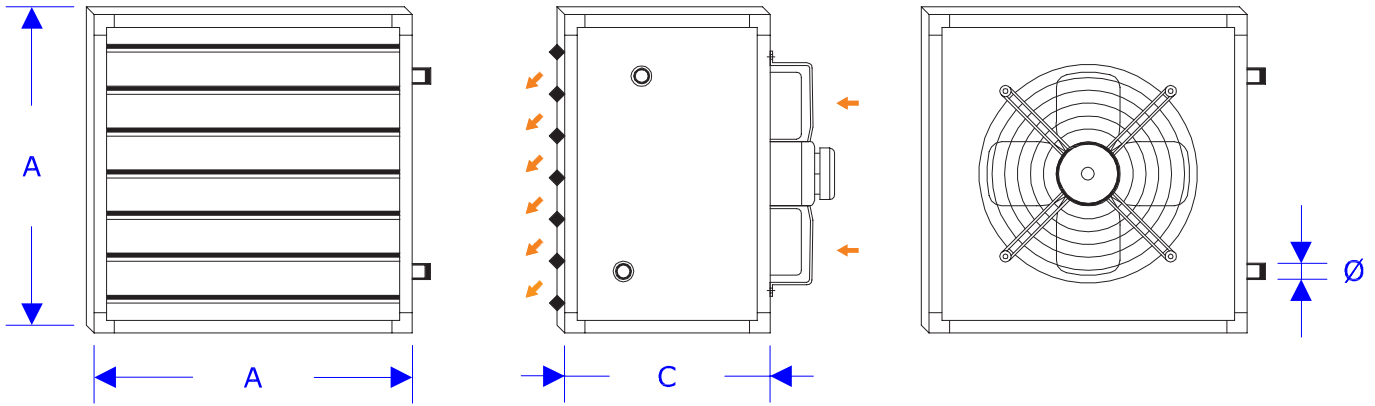
- > Industries
- > Warehouses, workshops, garages
- > Shopping malls & exhibition areas
- > Sports centers
- > Greenhouses

construction

- > Galvanized casing panels:
 - single and internally insulated
 - double with intermediate insulation, condensate pan and drain connection for WFH-AC type
- > Powder coated in RAL color
- > Cu-Al heat exchanger 2-4 rows
3/8" or 5/8" for water, and reinforced for steam
- > Quiet operation axial fan, 230V/ 400V
- > Discharge louvers with manually adjustable blades
- > Air intake from the room, possible fresh-air intake through G2 type air-filter



Axial Air-Heaters WFH-A



TYPE WFH-A	12	13	14	22	23	24	32	33	34	42	43	44
Coil Rows	2	3	4	2	3	4	2	3	4	2	3	4
1400 RPM												
Air-Flow [m ³ /h]	2000	1820	1620	3380	3120	3020	5100	4800	4450	-	-	-
Thermal Capacity [kW]	16.9	23.1	26.7	30	39	47.6	49	66	74	-	-	-
Cooling Capacity [kW]	-	-	9.0*	-	-	16.8*	-	19*	24*	-	-	-
Fan Power [W]	170/205	170/205	170/205	265/280	265/280	265/280	415	415	415	-	-	-
Voltage [V]	230/400	230/400	230/400	230/400	230/400	230/400	400	400	400	-	-	-
900 RPM												
Air-Flow [m ³ /h]	1250	1180	1000	2230	2000	1800	5000	4800	4400	8800	8100	7600
Thermal Capacity [kW]	13	17.7	19	24	29.6	33.5	47.6	66.5	74.7	75.5	101	118
Cooling Capacity* [kW]	-	4.9*	-	-	8.0*	-	-	-	-	-	33.5*	42.8*
Fan Power [W]	105/110	105/110	105/110	145/195	145/195	145/195	370	370	370	600	600	600
Voltage [V]	230/400	230/400	230/400	230/400	230/400	230/400	400	400	400	400	400	400
DIMENSIONS												
A° [mm]	540	540	540	650	650	650	800	800	800	900	900	900
C [mm]	300	300	300	320	320	320	340	340	340	360	360	360
Ø [inch]	1	1	1	1	1	1	1+1/4	1+1/4	1+1/4	1+1/4	1+1/2	1+1/2

* Ref. to type WFH-AC.

Nominal Conditions for Heating : T_{in,air} 0°C / T_{water} 80°C / 60°C

Nominal Conditions for Cooling : T_{in,air} 29°C - 47%RH / T_{water} 7°C / 12°C